



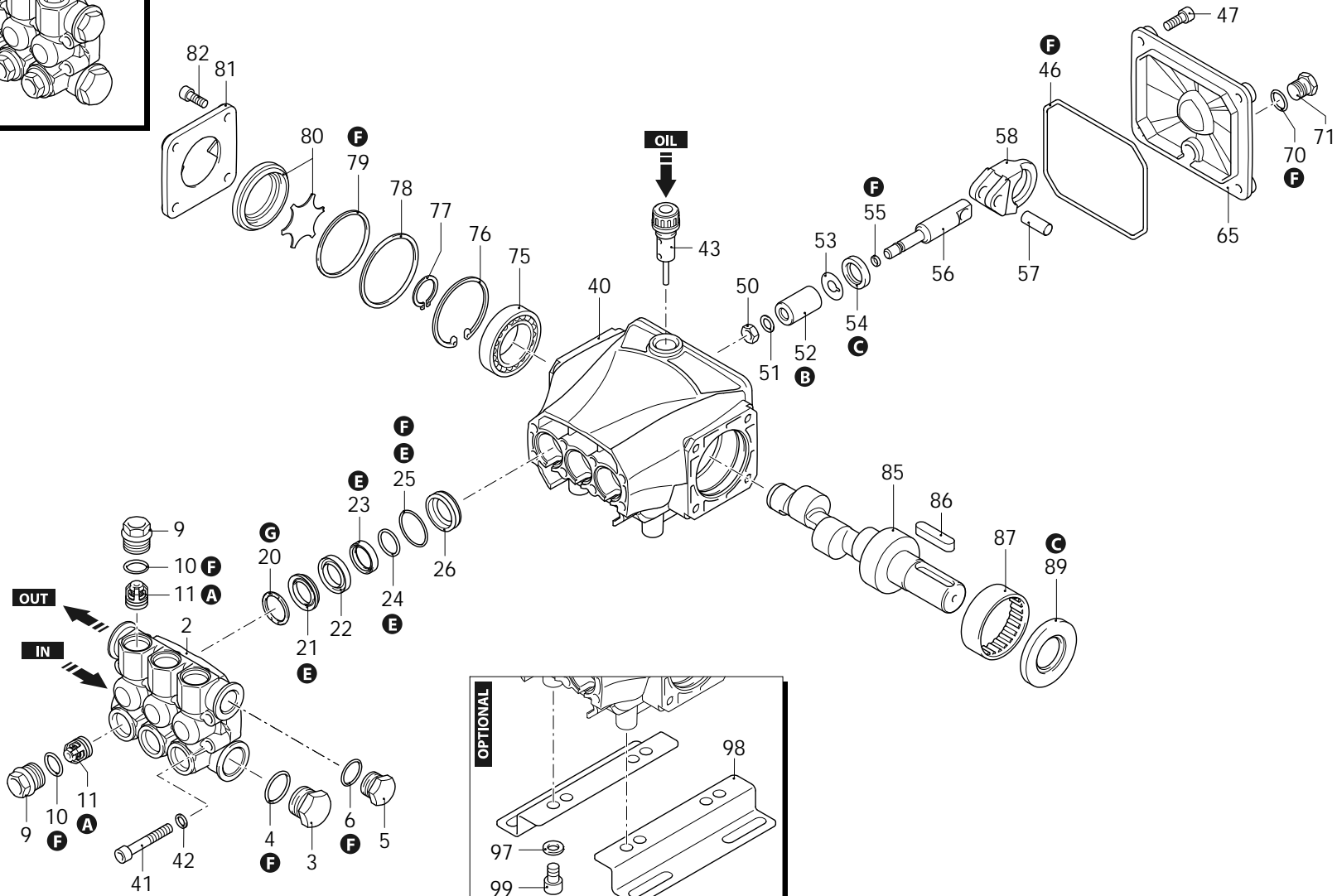
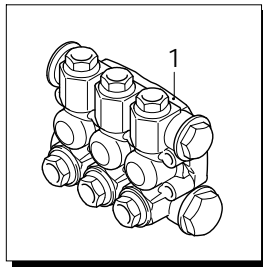
Series 320

RC

N

1450rpm

ø 24mm



AR_s320-02_v01

31/05/2024



Series 320

RC

N

1450rpm

Ø 24mm

P	Code	Description	Q	Assembly prescription	Validity	P	Code	Description	Q	Assembly prescription	Validity
1	3209200	Head assembly	Ø 18	1		79	395081	O-ring	Ø 47,30x2,62	1	
2	3200020	Head		1		80	3209615	Oil level assembly		1	
3	820361	Plug	1/2" G brass	1	C=40Nm	81	3200070	Support		1	
4	180101	O-ring	Ø 17,5x2	1	Lubricate with grease Molykote PG54	82	1200430	Screw	TCEI M6x16	4	C=10Nm / Loxeal 55-14
5	1980740	Plug	3/8" G brass	1	C=20Nm	85	3200320	Shaft	7 marked	1	
6	740290	O-ring	Ø 14x1,78	1	Lubricate with grease Molykote PG54	86	3200230	Key		1	
9	3200110	Plug		6	C=24,5Nm / Loxeal 55-14	87	1321190	Bearing		1	Assemble with tool [1780610]
10	1200690	O-ring	Ø 15,6x1,78	6	Lubricate with grease Molykote PG54	89	1260750	Ring	seal	1	Assemble with tool [1941990]
11	2769050	Complete valve		6		97	1322640	Washer		4	
20	1780140	Ring	support Ø 18	3		98	3200210	Foot		2	
21	1780720	Water seal	Ø 18	3	Lubricate with grease Molykote PG54	99	850250	Screw	TCEI M8x12	4	C=24,5Nm
22	3200130	Piston guide	front Ø 18	3		A	2186	Valve kit		1	
23	3200142	Gasket	Ø 18	3	Lubricate with grease Molykote PG54	B	42467	Piston kit	Ø 18	1	
24	3200260	Ring	anti-extrusion	3		C	42468	Oil seal kit		1	
25	770590	O-ring	Ø 21,95x1,78	3	Lubricate with grease Molykote PG54	E	42469	Water seal kit	Ø 18	1	
26	3200120	Piston guide	rear Ø 18	3		F	42470	Gasket kit		1	
40	3200010	Pump body		1		G	2745	Support ring kit	Ø 18	1	
41	800410	Screw	TCEI M6x40	8	C=10,4Nm						
42	1381550	Washer		8							
43	3201890	Oil plug	with oil dipstick	1							
46	2760280	O-ring	Ø 101,27x2,62	1							
47	3200220	Screw	TCEI 6x16	4	C=8Nm						
50	1260110	Nut	M8	3	C=12Nm / Loxeal 55-14						
51	1260100	Washer		3							
52	1260210	Piston	Ø 18	3							
53	1260091	Plate		3							
54	1260460	Oil seal		3							
55	480480	O-ring	Ø 4,48x1,78	3							
56	3200060	Piston	guide	3							
57	1780050	Pin		3							
58	3200040	Connecting-rod	aluminium	3	Lubricate with grease Molykote G807						
65	3200030	Cover		1							
70	820510	O-ring	Ø 10,82x1,78	1							
71	880581	Plug	1/4" G brass	1	C=15Nm / Loxeal 55-14						
75	1780490	Bearing		1							
76	1260790	Ring	seeger Øi 52	1							
77	1780550	Ring	seeger Øe 20	1							
78	3201860	Ring	Ø 51,8x0,5	1							

Revision: 1

Oil type: SAE 15W40

Validity: < XX/YY = From week/year

Date: 31/05/2024

Oil quantity: 0,260 Kg

C= Tightening torque (Tolerance +0 ÷ -10%)

* = Not present for electric pump

23260 - RC 8.15 N