



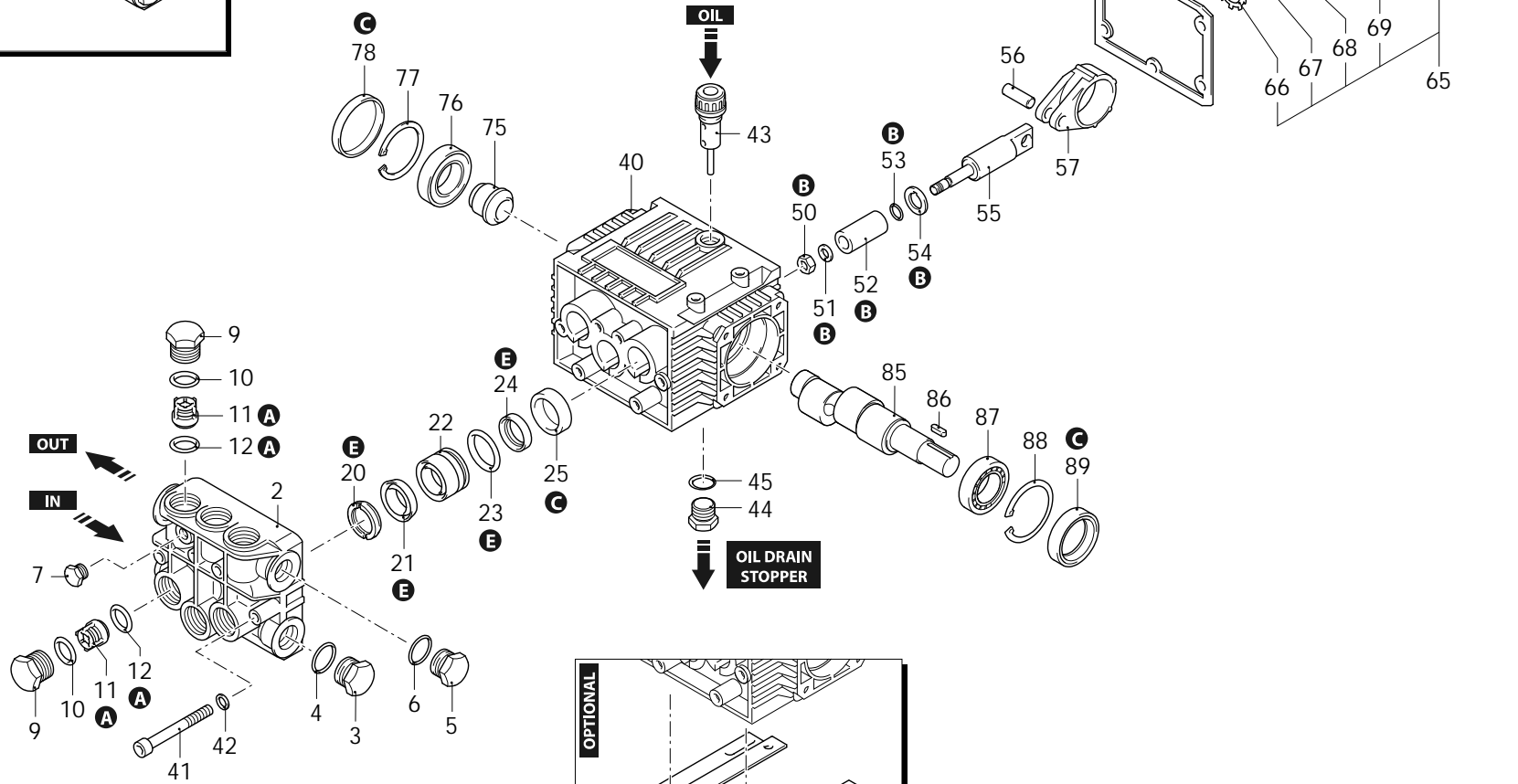
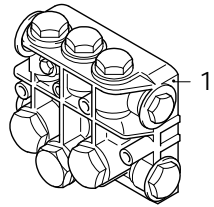
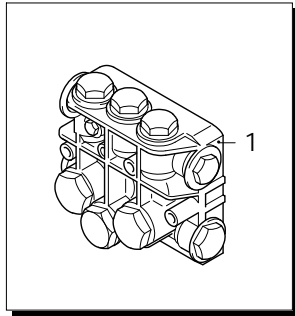
Series 132

XT

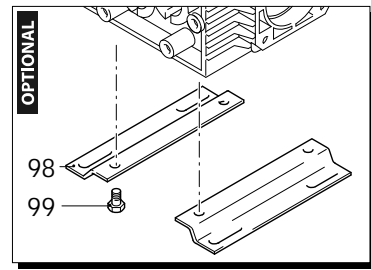
N

1450rpm

ø 24mm



- A**
- B**
- C**
- E**



AR_s132-01_v01

31/05/2024



Series 132

XT

N

1450rpm

ø 24mm

P	Code	Description	Q	Assembly prescription	Validity	P	Code	Description	Q	Assembly prescription	Validity
1	1269221	Head assembly	Ø 15	1		75	1320330	Bushing	1		
2	1320022	Head		1		76	1320370	Bearing	1		
3	820361	Plug	1/2" G brass	1	C=40Nm	77	1260790	Ring	1	seeger Ø1 52	
4	180101	O-ring	Ø 17,5x2	1	Lubricate with grease Molykote PG54	78	1266740	Cover	1		
5	1980740	Plug	3/8" G brass	1	C=20Nm	85	1260200	Shaft	1	6 marked	
6	740290	O-ring	Ø 14x1,78	1	Lubricate with grease Molykote PG54	86	1380520	Key	1		
7	620301	Plug	1/8" G	1	Loxéal 55-14	87	1320370	Bearing	1		
9	1260162	Plug		6	C=34Nm	88	1260790	Ring	1	seeger Øi 52	
10	960160	O-ring	Ø 17,86x2,62	6	Lubricate with grease Molykote PG54	89	1260750	Ring	1	seal	Assemble with tool [1941990]
11	1269050	Complete valve		6		98	1263890	Foot	2		
12	880830	O-ring	Ø 15,54x2,62	6	Lubricate with grease Molykote PG54	99	1260470	Screw	4	TE M8x10	C=24Nm
20	1520120	Ring	support Ø 15	3		A	1864	Valve kit	1		
21	1271650	Water seal	Ø 15	3	Lubricate with grease Molykote PG54	B	2628	Piston kit	1	Ø 15	
22	1260151	Piston guide	Ø 15	3		C	1872	Oil seal kit	1		
23	1260420	O-ring	Ø 26,70x1,78	3	Lubricate with grease Molykote PG54	E	1866	Water seal kit	1	Ø 15	
24	1260440	Water seal	Ø 15	3	Lubricate with grease Molykote PG54	E	2029	Water seal kit	1	Ø 15 Viton	
25	1260460	Oil seal		3							
40	1320010	Pump body		1							
41	1322730	Screw	TCEI M6x60	6	C=15Nm						
42	1381550	Washer		6							
43	880130	Oil plug	with oil dipstick	1							
44	1980740	Plug	3/8" G brass	1	C=20Nm						
45	740290	O-ring	Ø 14x1,78	1	Lubricate with grease Molykote PG54						
46	1260040	Oil seal		1							
47	1260760	Screw	TCEI M5x20	6	C=5,4Nm						
50	1260110	Nut	M8	3	C=12Nm / Loxéal 55-14						
51	1260100	Washer		3							
52	1260120	Piston	Ø 15	3							
53	480480	O-ring	Ø 4,48x1,78	3							
54	1260091	Plate		3							
55	1260070	Piston	guide	3							
56	1260080	Pin		3							
57	1320140	Connecting-rod	bronze	3							
65	1329010	Cover	complete	1							
66	1260430	Ring		1							
67	1780690	Plate		1							
68	1260250	Level gauge		1							
69	1140450	O-ring	Ø 20,24x2,62	1	Lubricate with grease Molykote PG54						

Revision: 1

Oil type: SAE 15W40

Validity: < XX/YY = From week/year

Date: 31/05/2024

Oil quantity: 0,280 Kg

C= Tightening torque (Tolerance +0 ÷ -10%)

* = Not present for electric pump