



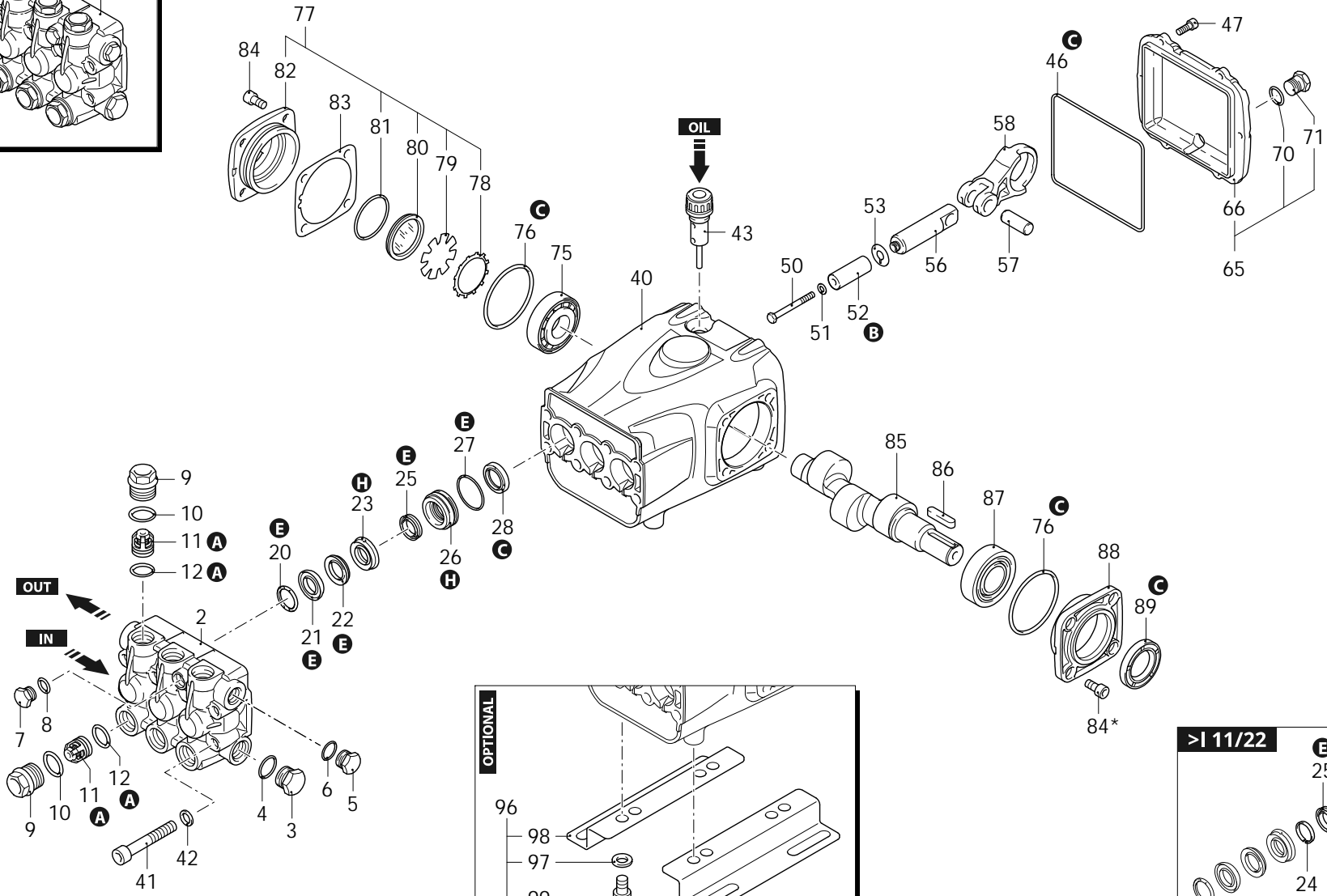
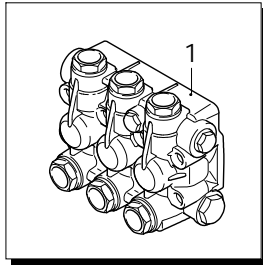
Series 402

RG

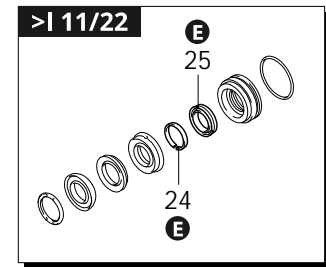
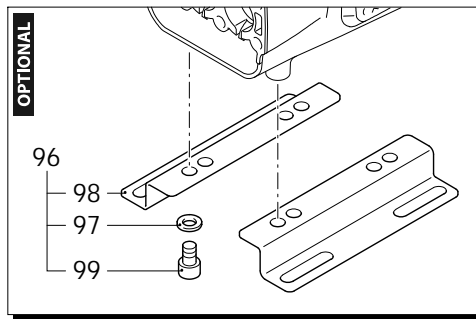
N

1450rpm

ø 24mm



- A**
- B**
- C**
- E**
- H**



AR\_s402-01\_v01

31/05/2024



Series 402

RG

N

1450rpm

ø 24mm

P	Code	Description	Q	Assembly prescription	Validity	P	Code	Description	Q	Assembly prescription	Validity
1	4029202	Head assembly	Ø 20	1		71	1980740	Plug	3/8" G brass	1	C=20Nm
2	4020230	Head	Ø 20	1		75	1140420	Bearing		1	
3	820361	Plug	1/2" G brass	1	C=40Nm	76	1941380	O-ring	Ø 66,34x2,62	2	
4	180101	O-ring	Ø 17,5x2	1	Lubricate with grease Molykote PG54	77	4029000	Cover	complete	1	
5	1980740	Plug	3/8" G brass	1	C=20Nm	78	4020080	Ring		1	
6	740290	O-ring	Ø 14x1,78	1	Lubricate with grease Molykote PG54	79	4020070	Plate		1	
7	880581	Plug	1/4" G brass	1	C=15Nm / Loxeal 55-14	80	4020160	Level gauge		1	
8	820510	O-ring	Ø 10,82x1,78	1		81	3680250	O-ring	Ø 45,69x2,62	1	
9	4020140	Plug		6	C=54Nm / Loxeal 55-14	82	4020150	Cover		1	
10	960160	O-ring	Ø 17,86x2,62	6	Lubricate with grease Molykote PG54	83	4020100	Shim 0.05mm		1	
11	1389051	Complete valve		6		83	4020110	Shim 0.10mm		1	
12	880830	O-ring	Ø 15,54x2,62	6	Lubricate with grease Molykote PG54	83	4020120	Shim 0.19mm		1	
20	840300	Ring	support Ø 20	3		83	4020130	Shim 0.25mm		1	
21	840290	Water seal	Ø 20	3	Lubricate with grease Molykote PG54	84	850370	Screw	TCEI M8x16	4	C=24,5Nm
22	2340320	Ring	anti-extrusion	3		84*	850370	Screw	TCEI M8x16	4	C=24,5Nm
23	2980290	Piston guide	front Ø 20	3		85	2980480	Shaft	1 marked	1	
24	2980300	Ring	seal	3	< 11/22	86	3200230	Key		1	
25	1940470	Gasket	Ø 20	3	< 11/22	87	1941370	Bearing		1	
25	840280	Water seal	Ø 20	3		88	4020040	Cover		1	C=25Nm
26	2980280	Piston guide	rear Ø 20	3		89	820681	Ring	seal	1	C=10Nm / Loxeal 55-14
27	820490	O-ring	Ø 34,65x1,78	3		96	2748	Foot kit		1	
28	1943730	Ring	seal	3		97	200231	Washer		4	
40	4020010	Pump body		1		98	1940370	Foot		2	
41	2980100	Screw	TCEI M10x70	8	C=53Nm	99	1940380	Screw	TCEI 10x18	4	C=50Nm
42	650530	Washer		8		A	2864	Valve kit		1	
43	1140370	Oil plug	with oil dipstick	1		B	43619	Piston kit	Ø 20	1	
46	1940410	O-ring	Ø 132x3	1		C	47083	Oil seal kit		1	
47	1200430	Screw	TCEI M6x16	6	C=10Nm / Loxeal 55-14	E	43620	Water seal kit	Ø 20	1	
50	1941640	Screw	TE M6x60	3	C=7Nm / Loxeal 55-14	H	43621	Piston guide kit	Ø 20	1	
51	1340600	Washer		3							
52	1942330	Piston	Ø 20	3							
53	1383190	Plate		3							
56	1940960	Piston	guide	3							
57	1940060	Pin		3							
58	2980010	Connecting-rod		3	Lubricate with grease Molykote BR2 PLUS						
65	4029001	Cover	complete	1							
66	4020030	Cover		1							
70	740290	O-ring	Ø 14x1,78	1	Lubricate with grease Molykote PG54						

Revision: 1

Oil type: SAE 15W40

Validity: &lt; XX/YY = From week/year

Date: 31/05/2024

Oil quantity: 0,960 Kg

C= Tightening torque (Tolerance +0 ÷ -10%)

\* = Not present for electric pump