



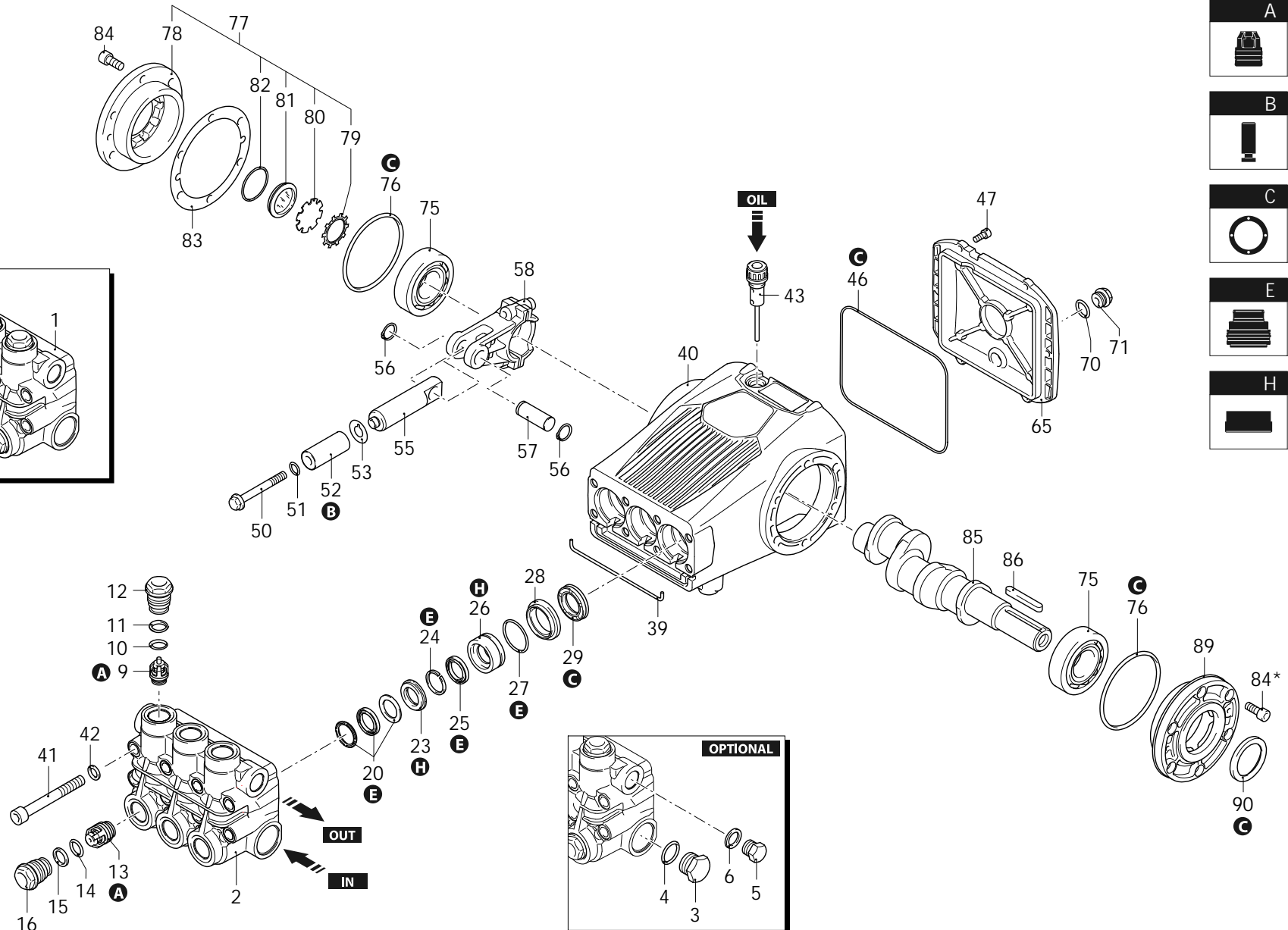
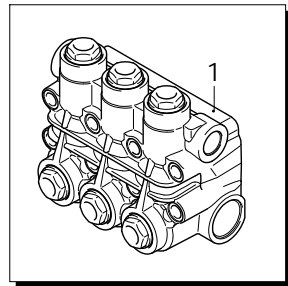
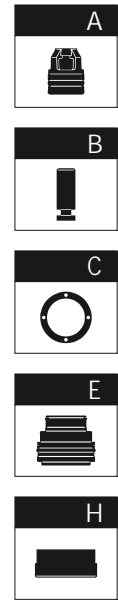
Series 538

RF

N

1450rpm

ø 30mm



AR_s538-01_022

10/07/2024



Series 538

RF

N

1450rpm

Ø 30mm

| P | Code | Description | Q | Assembly prescription | Validity | P | Code | Description | Q | Assembly prescription | Validity |
|----|---------|----------------|-------------------|-----------------------|-------------------------------------|-----|---------|------------------|-------------|-----------------------|-------------------------------------|
| 1 | 5389101 | Head assembly | Ø 22 | 1 | | 70 | 740290 | O-ring | Ø 14x1,78 | 1 | Lubricate with grease Molykote PG54 |
| 2 | 5380020 | Head | | 1 | | 71 | 2282280 | Plug | with magnet | 1 | C=20Nm |
| 3 | 2822550 | Plug | 1" G brass | 1 | | 75 | 1500290 | Bearing | | 2 | |
| 4 | 390291 | O-ring | Ø 28,25x2,62 | 1 | | 76 | 3660740 | O-ring | Ø 83x3 | 2 | |
| 5 | 2820491 | Plug | 1/2" G | 1 | | 77 | 3669002 | Cover | | 1 | |
| 6 | 1540120 | Washer | | 1 | | 78 | 3660050 | Cover | | 1 | |
| 9 | 1949060 | Complete valve | | 3 | | 79 | 1941290 | Ring | | 1 | |
| 10 | 880830 | O-ring | Ø 15,54x2,62 | 3 | Lubricate with grease Molykote PG54 | 80 | 1941260 | Plate | | 1 | |
| 11 | 1941070 | Ring | anti-extrusion | 3 | | 81 | 1941270 | Level gauge | | 1 | |
| 12 | 1944510 | Plug | | 3 | C=60Nm | 82 | 100410 | O-ring | Ø 34,6x2,62 | 1 | |
| 13 | 5389050 | Complete valve | | 3 | | 83 | 3660260 | Shim 0.05mm | | 1 | |
| 14 | 1140450 | O-ring | Ø 20,24x2,62 | 3 | Lubricate with grease Molykote PG54 | 83 | 3660270 | Shim 0.10mm | | 1 | |
| 15 | 1940150 | Ring | anti-extrusion | 3 | | 83 | 3660280 | Shim 0.19mm | | 1 | |
| 16 | 1940140 | Plug | | 3 | C=7Nm / Loxeal 55-14 | 84 | 180030 | Screw | TCEI M8x20 | 4 | C=24,5Nm |
| 20 | 5380090 | Sealing system | | 3 | | 84* | 180030 | Screw | TCEI M8x20 | 4 | C=24,5Nm |
| 23 | 5380100 | Piston guide | front Ø 22 | 3 | | 85 | 5380180 | Shaft | 4 marked | 1 | |
| 24 | 2283660 | O-ring | cut Ø 22 | 3 | | 86 | 5380060 | Key | | 1 | |
| 25 | 1940480 | Gasket | Ø 22 | 3 | Lubricate with grease Molykote PG54 | 89 | 3660040 | Cover | | 1 | |
| 26 | 1944630 | Piston guide | rear Ø 22 | 3 | | 90 | 3660300 | Ring | seal | 1 | |
| 27 | 820490 | O-ring | Ø 34,65x1,78 | 3 | | A | 47548 | Valve kit | | 1 | |
| 28 | 5380110 | Ring | | 3 | | B | 47549 | Piston kit | Ø 22 | 1 | |
| 29 | 3660310 | Ring | seal | 3 | | C | 47550 | Oil seal kit | | 1 | |
| 39 | 5380120 | O-ring | | 3 | | E | 47551 | Water seal kit | Ø 22 | 1 | |
| 40 | 5380010 | Pump body | | 3 | | H | 47552 | Piston guide kit | Ø 22 | 1 | |
| 41 | 850262 | Screw | TCEI M10x90 | 8 | C=80Nm | | | | | | |
| 42 | 650530 | Washer | | 8 | | | | | | | |
| 43 | 1140370 | Oil plug | with oil dipstick | 3 | | | | | | | |
| 46 | 5380200 | O-ring | Ø 158,42x2,62 | 1 | | | | | | | |
| 47 | 1200430 | Screw | TCEI M6x16 | 3 | C=10Nm / Loxeal 55-14 | | | | | | |
| 50 | 5380080 | Screw | | 3 | C=20Nm / Loxeal 55-14 | | | | | | |
| 51 | 3660340 | O-ring | Ø 12x2 | 3 | Lubricate with grease Molykote PG54 | | | | | | |
| 52 | 5380070 | Piston | Ø 22 | 3 | | | | | | | |
| 53 | 5380220 | Plate | | 3 | | | | | | | |
| 55 | 5380040 | Piston | guide | 3 | | | | | | | |
| 56 | 3660330 | Ring | | 6 | | | | | | | |
| 57 | 3660090 | Pin | | 3 | | | | | | | |
| 58 | 3660990 | Connecting-rod | bronze | 3 | C=22Nm / Loxeal 55-14 | | | | | | |
| 65 | 5380030 | Cover | complete | 1 | | | | | | | |

Revision: 1

Oil type: SAE 15W40

Validity: < XX/YY = From week/year

Date: 10/07/2024

Oil quantity: 2,000 Kg

C= Tightening torque (Tolerance +0 ÷ -10%)

* = Not present for electric pump